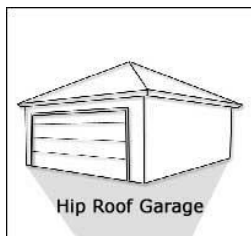


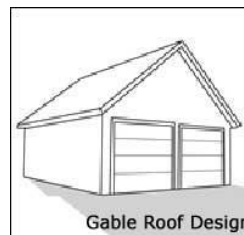
VILLAGE OF FOREST VIEW

DETACHED GARAGE CONSTRUCTION REQUIREMENTS

Please complete all the required information to process your application.
 All contractors hired to complete the project must be registered in the Village of Forest View



Select Style Hip _____ Gable _____
 Roof Elevation (max 14'6") _____
 Wall Height _____
 Total Sq. Ft. (24'x24' Max) _____



Other Requirements

- ___ Permit application completed
- ___ Current Plat of Survey
- ___ Set of detailed plans/drawings
- ___ Electrical device locations
- ___ Electrical service to garage details
- ___ 4' minimum side setback
- ___ 5' minimum rear lot line
- ___ 18' minimum front of lot line
- ___ List of all contractors
- ___ J.U.L.I.E. contacted before digging
- ___ Signed contracts

Header Requirements

Doors or windows
 5' or less (2) 2x8
 5'-8' (2) 2x12

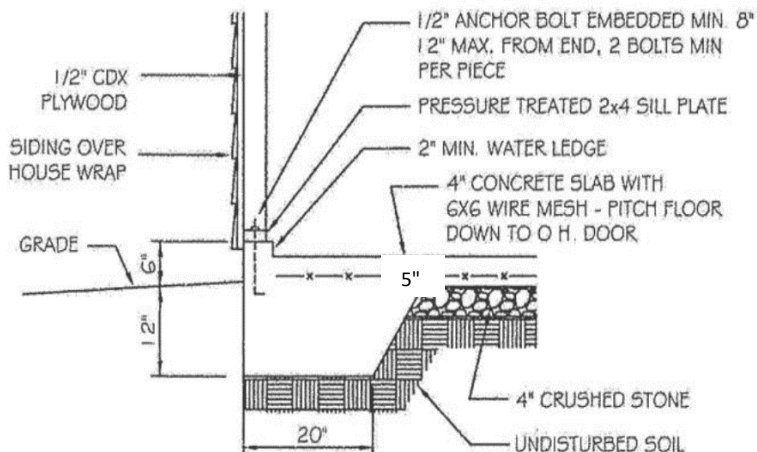
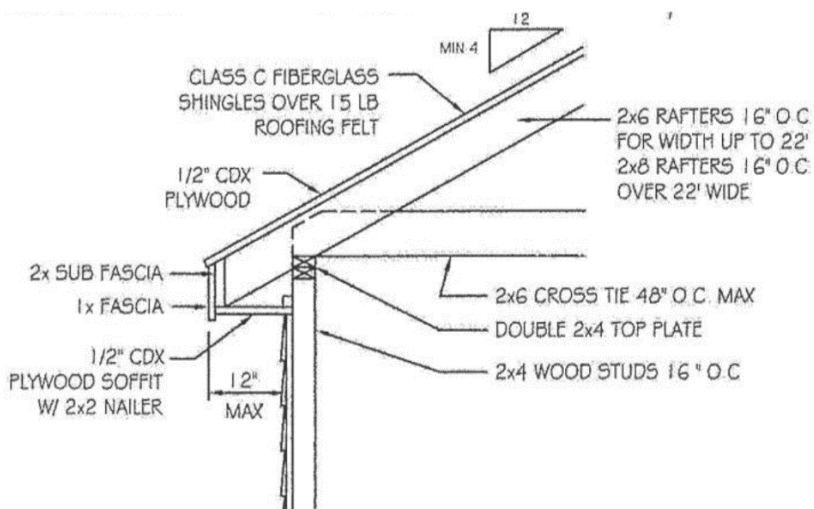
Overhead Door - Gable Roof

8' (2) 2x8
 16' (2) 2x12

Overhead Door - Hip Roof

8' (2) 2x12
 16' (3) 2x12 or (2) 11 1/4" Micro Lam

Wall & Foundation Section



Village of FOREST VIEW
 Email: jbrniak@forestview-il.org

7000 46th St.
Ph: 708-788-3429